

Description

- Based on pressure monitoring
- Identical system for all centrifuge sizes
- ATEX certified
- Remote controlled by safety PLC
- Low maintenance

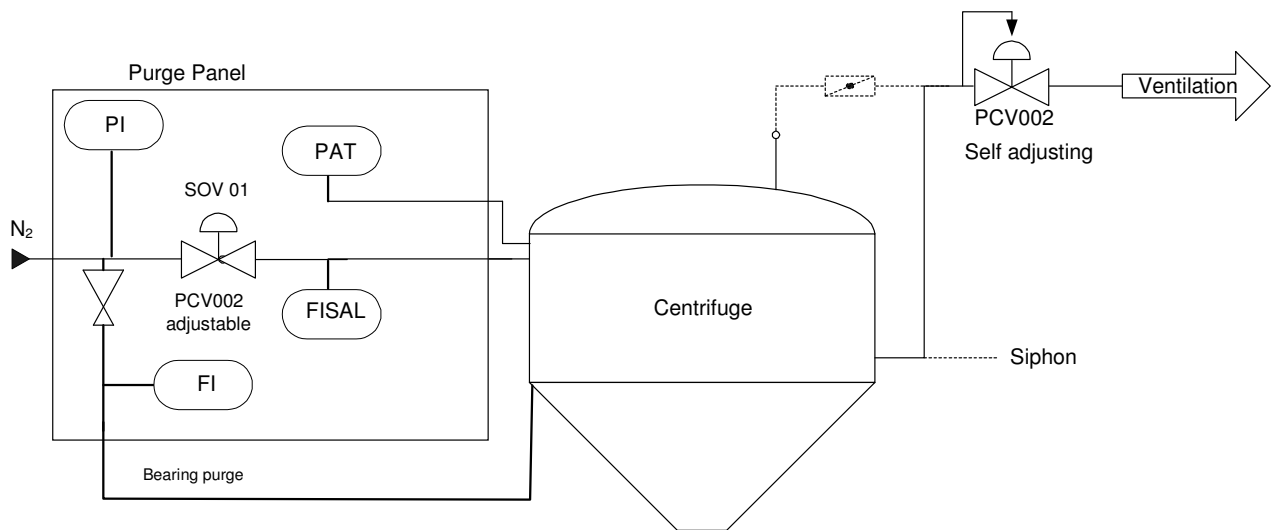


Key Functions

The “InertoSafe[®] ATEX” inertisation system is providing a safe and inert environment inside the centrifuge. After an initial purging process the system goes into a pressure maintaining mode for maximum safety. The system is based on pressure monitoring and relies on industry-proven devices for a virtually maintenance free operation.

InertoSafe[®] ATEX is designed for operation utilizing a safety PLC which is separated from the centrifuge PLC except for data and status transfer. In case of a system failure, the system initiates an emergency shutdown of the centrifuge.

General P&ID

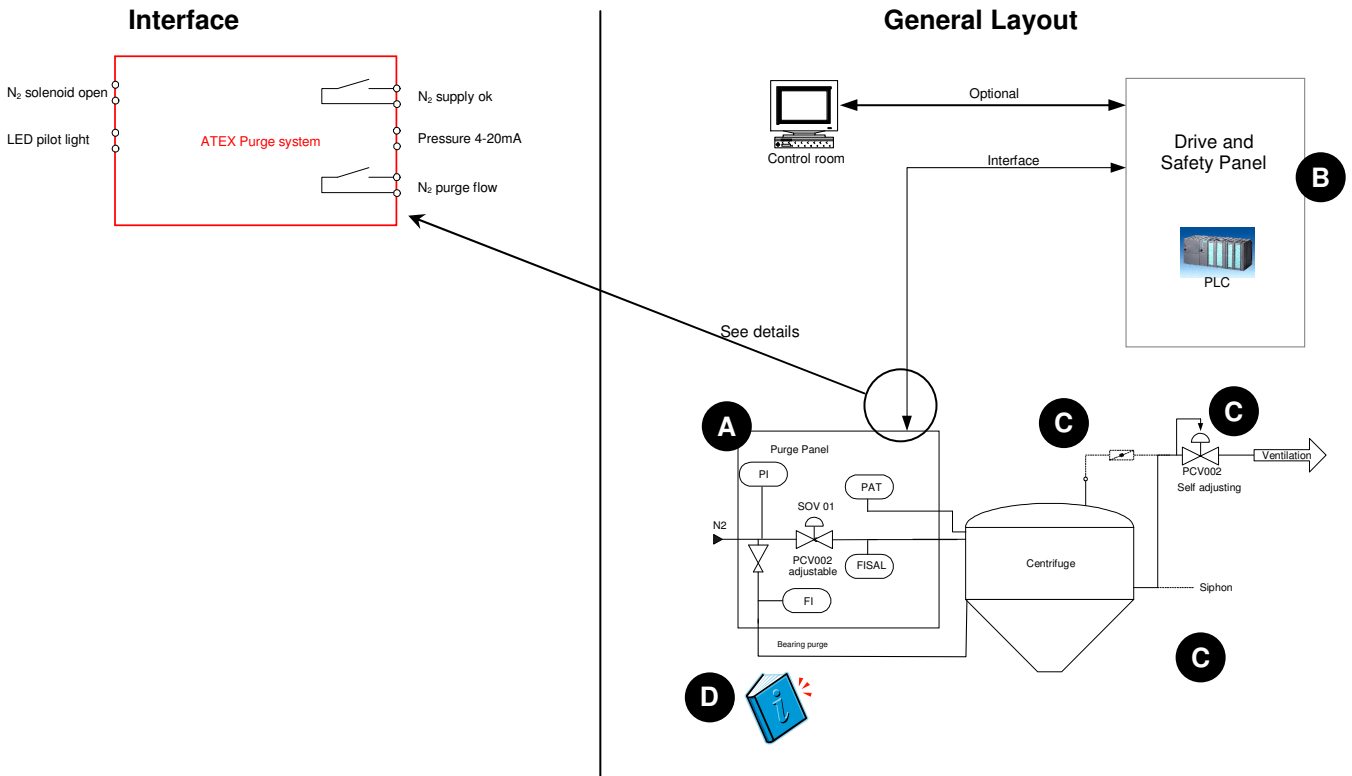


1801.1: InertoSafe[®] ATEX

Configuration

The InertoSafe[®] ATEX system contains

- A** Purge panel in stainless steel for installation in the hazardous area
- B** PLC logic (if turn key system is supplied with centrifuge)
- C** Additional equipment (optional)
- D** Operator manual and certificates



Technical data

InertoSafe [®] ATEX System	
Approvals	ATEX 94/9/EC FTZU 06ATEX0323X
Operation	Turnkey operation with centrifuge PLC controls
Purge capabilities	Ferrum centrifuges of all sizes
Power supply	By centrifuge control system
Admissible ambient temperatures	Storage -20 °C to +50 °C Operation 0 °C to +50 °C

Purge Panel	
Material	Stainless steel
Dimensions (W x H x D)	500 x 500 x 300 mm
Operator Interface	Digital display for centrifuge pressure 0-1000 mbar Pilot light for status Local gauges for bearing monitoring
ATEX approvals	II 2G Eex dmeib IIB T4
Weight	Approx. 18 kg

Controls	
Operator interface	Through centrifuge HMI
Controls	Monitoring using safety PLC